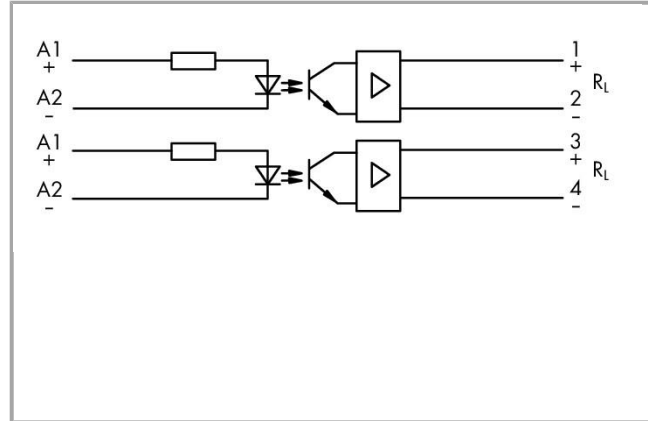


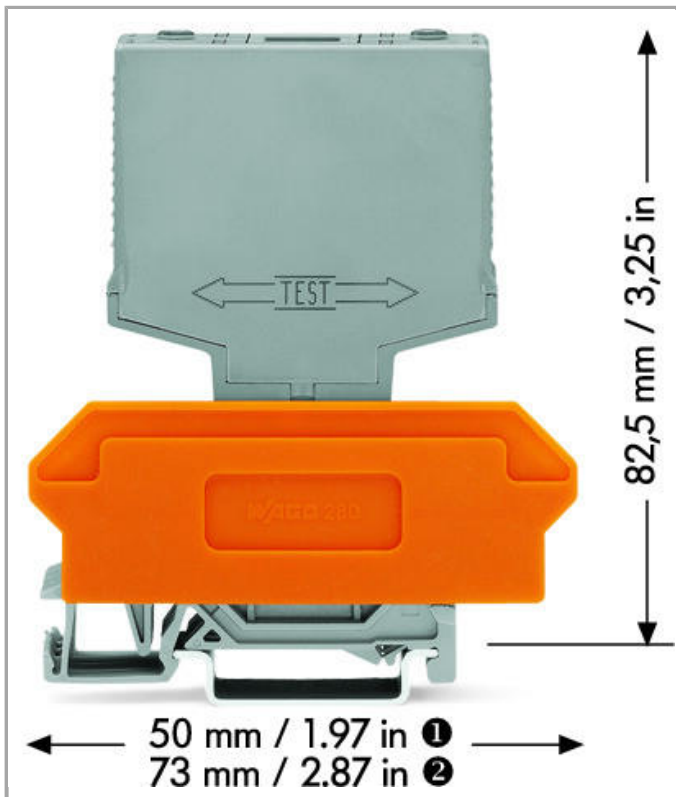
286-792



RoHS Compliant

[BOMcheck.net](https://www.bomcheck.net)

Color: ■



Data

Technical Data

Control circuit

Nominal input voltage U_N	DC 24 V
Input voltage range (high level)	DC 7.5 ... 30 V
Nominal input current at U_N	15 mA

Load circuit:

Circuit type	2-way, 2-conductor termination
Limiting continuous current	0.25 A
Output voltage range	DC 20 ... 30 V
Max. voltage drop at output	\leq DC 2.5 V
Leakage current at nominal voltage	\leq 3 μ A
Min. switching current	0 μ A
Turn-on time	\leq 60 μ s
Drop-out time	\leq 120 μ s
Switching frequency	\leq 1.5 kHz

Safety and protection:

Pollution degree	2
Dielectric strength, control/load circuit (AC, 1 min)	2.5 kVrms
Protection class	IP20

Geometrical Data

Width	20 mm / 0.787 inch
Height from upper-edge of DIN-35 rail	82.5 mm / 3.25 inch
Depth	52 mm / 1.654 inch

Mechanical data

Type of mounting	Pluggable module for carrier terminal blocks
------------------	--

Material Data

Color	gray
Fire load	0MJ
Weight	23.366 g

Environmental Requirements

Pollution degree	3
Surrounding air (operating) temperature at U_N	-25 ... 40 °C
Surrounding air (storage) temperature	-25 ... 40 °C

Standards and specifications

Standards/specifications	EN 60664-1
--------------------------	------------

Commercial data

Product Group	6 (Interface Electronics)
Country of origin	DE
GTIN	4045454860448
Customs Tariff No.	85365005000

Compatible products

General accessories

Item no.: 280-628

Terminal block for pluggable modules; 16-pole; with 4-conductor terminal blocks; with orange

280-628

separator; for DIN-rail 35 x 15 and 35 x 7.5; 2.5 mm²; CAGE CLAMP®**Item no.: 280-638**Terminal block for pluggable modules; 8-pole; with 2-conductor terminal blocks; with orange separator; for DIN-rail 35 x 15 and 35 x 7.5; 2.5 mm²; CAGE CLAMP®

280-638

**Item no.: 280-764**Terminal block for pluggable modules; 16-pole; with 4-conductor terminal blocks; with marker carrier; with orange separator; for DIN-rail 35 x 15 and 35 x 7.5; 2.5 mm²; CAGE CLAMP®

280-764

Marking accessories**Item no.: 209-701**

WSB marking card; as card; not stretchable; plain; snap-on type

209-701

**Item no.: 209-701/000-002**

WSB marking card; as card; not stretchable; plain; snap-on type

/000-002

209-701

**Item no.: 209-701/000-005**

WSB marking card; as card; not stretchable; plain; snap-on type

/000-005

209-701

**Item no.: 209-701/000-006**

WSB marking card; as card; not stretchable; plain; snap-on type

/000-006

209-701

**Item no.: 209-701/000-007**

WSB marking card; as card; not stretchable; plain; snap-on type

/000-007

209-701

**Item no.: 209-701/000-012**

WSB marking card; as card; not stretchable; plain; snap-on type

/000-012

209-701

**Item no.: 209-701/000-017**

WSB marking card; as card; not stretchable; plain; snap-on type

/000-017

209-701

**Item no.: 209-701/000-023**

WSB marking card; as card; not stretchable; plain; snap-on type

/000-023

209-701

**Item no.: 209-701/000-024**

WSB marking card; as card; not stretchable; plain; snap-on type

/000-024

209-701

Downloads**Documentation****Bid Text**

286-792

Mar 9, 2016

doc

Download

Optokoppler

25.6 kB

Additional Information

